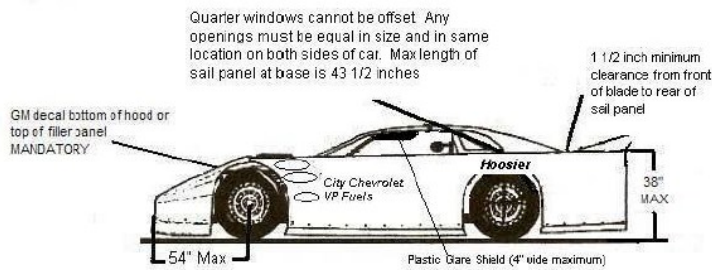
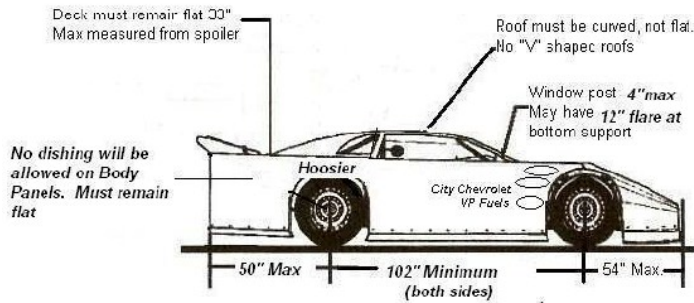
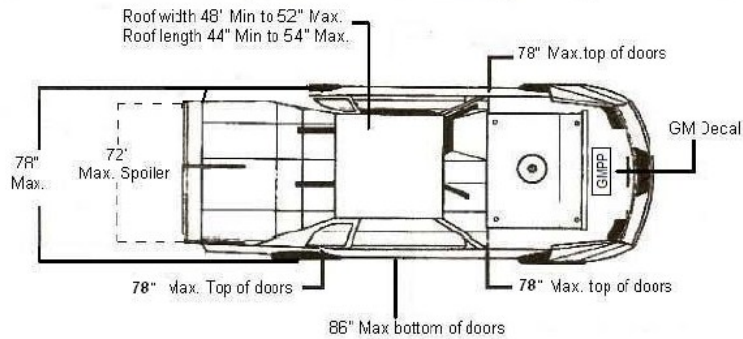
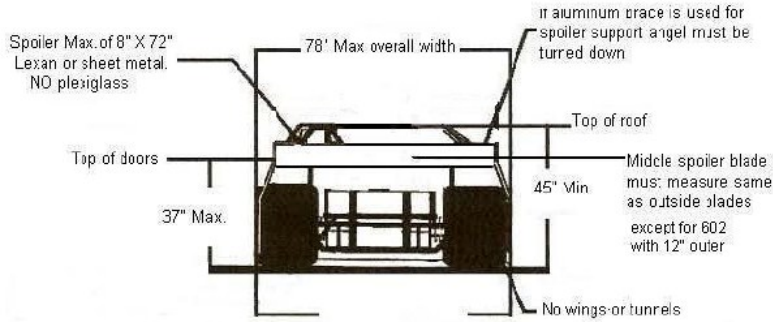
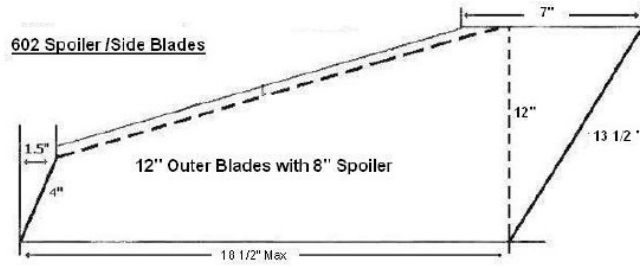
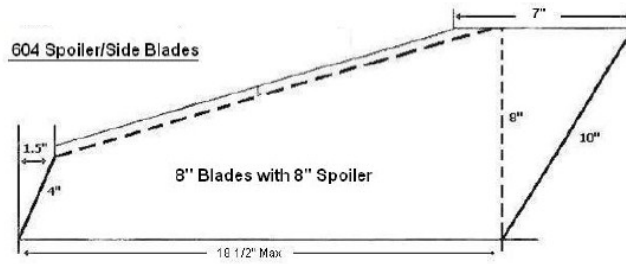


## SECA Crate Late Model Body Drawing





### SECA Crate Sportsman / Limited Sportsman / Renegade Body Drawing

C-post (sail panels) Must be of the same shape and size on each side of car. Any openings/holes must be the same size and location on each panel.



A- Measurement at top of sail panel 18" min- 25" max

B- Measurement at bottom of sail panel 28" min - 42" max

C- Measurement of deck height 43" (Measured from ground to where spoiler meets deck)

D- Bumper measurement. Bumper must extend a min of 20" (Measured straight down from deck lid to the bottom of bumper.)

SECA officials may request body alterations to your cars at anytime without notice as seen fit.